

# HYDRO-GRIP Type B and BI

A

B

C

D

E

F

G

H

I

J

K



## Applications

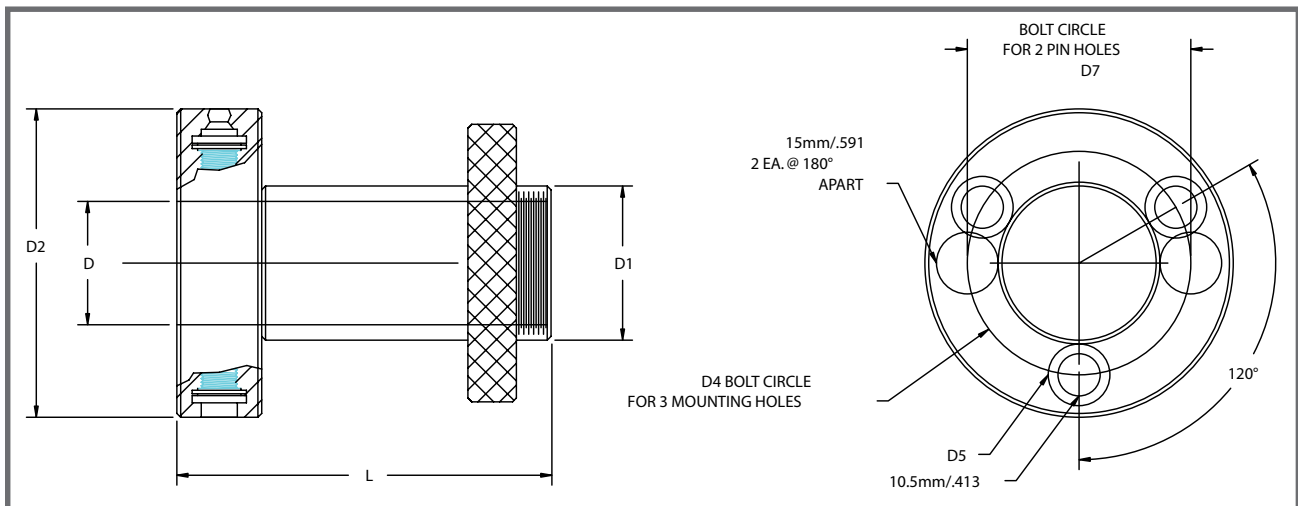
- Extremely accurate mounting system for use on non-threaded arbors
- Use on moulder, tenon machines, etc

## Advantages

- Increase feed rates by 30-50%
- Gives near perfect concentricity on the OD
- Excellent repeatability of the cutting circle ensures that all of the knives/wings cut effectively
- Reduces set up time because the cutting tool and sleeve remain as one unit No assembly required
- Smoother finishes for limited sanding

## Technical Information

- Type B and BI is threaded and has a knurled ring nut for interchangeability between various cutting tools
- Type B sleeve is operated with a high pressure pump
- When pressurized: inner sleeve expands towards the spindle and the outer sleeve expands towards the tool
- Type BI sleeve is operated with a T-wrench



# HYDRO-GRIP Type B and BI

## Type B with inch bores

Part No.	Description	Capacity
Special Size	B-1 1/4"/40-85***	50mm
MG243	B-1 1/2"/50-85	50mm
MG244	B-1 1/2"/50-135	100mm
MG245	B-1 1/2"/50-185	150mm
MG247	B-1 13/16"/60-75	40mm
MG248	B-1 13/16"/60-115	80mm
MG250	B-1 13/16"/60-190	155mm
MG252	B-1 13/16"/65-85	50mm
MG253	B-1 13/16"/65-135	100mm
MG254	B-1 13/16"/65-185	150mm
MG257	B-2 1/8"/65-85	50mm
MG258	B-2 1/8"/65-135	100mm
MG259	B-2 1/8"/65-185	150mm

## Type B with metric bores

Part No.	Description	Capacity
MG202	B-40/50-75	40mm
MG203	B-40/50-115	80mm
MG206	B-40/60-75	40mm
MG207	B-40/60-95	60mm
MG208	B-40/60-115	80mm
Special Size	B-40/60-140	105mm
MG210	B-40/60-165	130mm
MG211	B-40/60-215	180mm
MG213	B-45/60-75*	40mm
MG214	B-45/60-95*	60mm
MG215	B-45/60-115*	80mm
MG216	B-45/60-140*	105mm
MG217	B-45/60-190*	155mm
Special Size	B-45/60-240*	205mm
MG220	B-50/60-75**	40mm
MG221	B-50/60-95**	60mm
MG222	B-50/60-115**	80mm
MG223	B-50/60-140**	105mm
MG224	B-50/60-190**	155mm
Special Size	B-50/60-230**	195mm
MG226	B-50/60-240**	205mm
MG228	B-60/70-75	40mm
MG229	B-60/70-190	155mm

## Type BI with inch bores

Part No.	Description	Capacity
MG287	BI-1 1/2"/50-85	50mm
MG288	BI-1 1/2"/50-135	95mm
MG289	BI-1 13/16"/60-75	40mm
MG291	BI-1 13/16"/60-115	80mm
MG292	••BI-1 13/16"/60-140	100mm
MG294	BI-1 13/16"/65-85	50mm
Special Size	BI-1 13/16"/65-135	95mm
MG297	BI-2 1/8"/65-85	50mm
Special Size	••BI-2 1/8"/65-135	95mm

## Type BI with metric bores

Part No.	Description	Capacity
MG270	BI-40/50-75	40mm
MG272	BI-40/60-75	40mm
MG273	BI-40/60-95	60mm
MG274	BI-40/60-115	80mm
Special Size	••BI-40/60-140	100mm
Special Size	BI-45/60-75*	40mm
Special Size	BI-45/60-115*	80mm
MG282	BI-50/60-75**	40mm
MG283	BI-50/60-95**	60mm
MG284	BI-50/60-115**	80mm
Special Size	••BI-50/60-140**	100mm

Special Sizes are non-standard sleeves

\*) The B E45 sleeve has two carrier pegs, 8.5 x 5 mm.

\*\*\*) The B E50 has two, threaded M5-holes for carrier pegs, on a 70 mm bolt circle diameter.

\*\*\*\*) The B-1-1/4"/40 has two tool fastening holes.

A

B

C

D

E

F

G

H

I

J

K