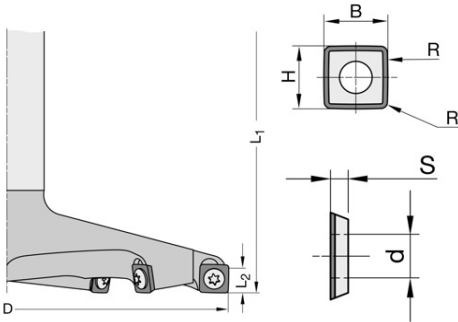


Four Cut Diamond Surfacing Cutter



Applications

- Surfacing of spoil boards and MDF

Advantages

- High surface quality
- More economic compared to brazed tools
- PCD tips can be exchanged by carbide tips

Technical Information

- RPM: 18,000-35,000
- Feed rate: 590-1375 in/min
- 4-sided Diamond (PCD) reversible tips with special design to minimize risk of breakage and higher tool life

Diamond (PCD) Surfacing Cutter 6 wing

Part No.	Cutting Diameter	Cutting Edge Length	Shank Size	Overall Length
RN340	150	8	90	25x55

Replacement Diamond Inserts

Part No.	Dimensions
RN345	9.8 x 9.8 x 2 mm